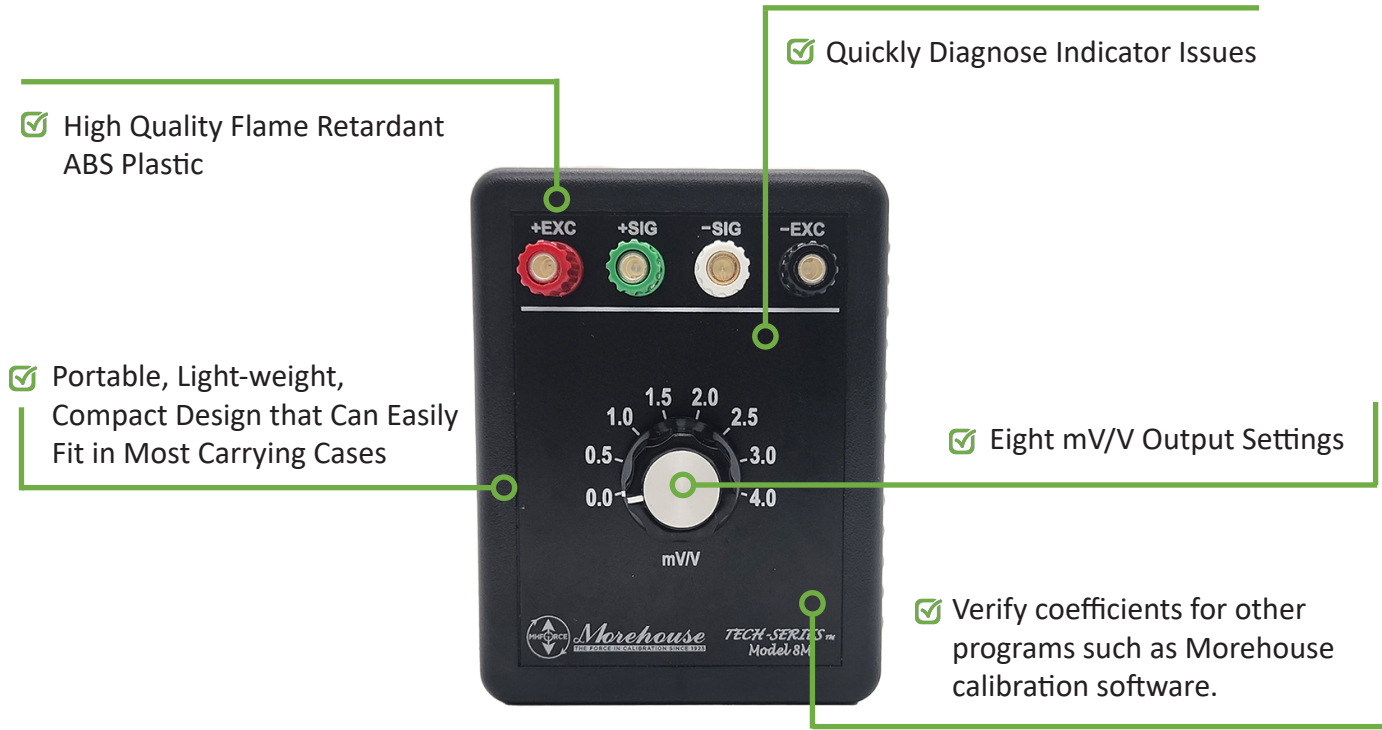




Model 8 Budget Load Cell Simulator



Morehouse portable, lightweight, Model 8 Budget Load Cell Simulator can be a helpful tool in troubleshooting equipment problems; the load cell simulator can be used to verify meters are reading correctly, span meters, and as a check standard to help identify drift associated with many digital meters.

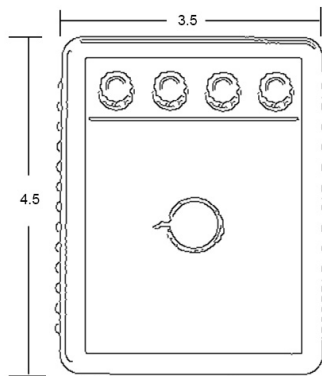
With a low-temperature coefficient, the Morehouse Model 8 Budget Load Cell Simulator will reduce the misidentification of equipment faults and their respective causes to implement corrective actions more effectively. Labs using the Morehouse Model 8 Budget Load Cell Simulator have saved countless hours of unnecessary troubleshooting.

Standard Features

- » Perform cross-checks on equipment with eight mV/V settings
- » Help identify stability/drift
- » Verify coefficients are correctly entered in Morehouse 4215 plus, C705P meter; both use the actual coefficients from the calibration report.
- » Verify coefficients for other programs such as Morehouse calibration software.
- » Check for linearity issues in any meter.
- » Use as a diagnostic tool to rule out the load cell meter, leaving the load cell, cables, or adapters as the issue.
- » Can be used to calibrate A/D offset and gain setting.
- » Standardize and set up a new indicator prior to system calibration.

Specifications	MODEL 8 SIMULATOR	
Input		
Impedance	350 Ohms Nominal	
Excitation	15V AC/DC Max	
Precision Resistors -Temp Coefficient	± 5 PPM / °C	
Termination	Binding Posts - Accepts Standard Banana Plug or up to 14 AWG Wire	
Output Ranges		
	Fixed Rotary Switch	0 to 4 mV/V in 7 Steps of .5 mV/V
Accuracy	Typical	Max
	±0.008% of Full Scale	±0.020% of Full Scale
	±0.00032 mV/V	±0.00080 mV/V
Zero Offset	±0.00009 mv/v	±0.0005 mv/v
Environmental		
Enclosure	Flame Retardant ABS Plastic	
Dimensions		
Height x Width x Depth	4.5"H x 3.5"W x 2.2"D (114mm x 89mm x 55mm)	
Weight	1 lb	

Dimensions



Height (in/mm)	Width (in/mm)	Depth (in/mm)
4.5 / 114	3.5 / 89	2.2 / 55

Wiring

Model 8 Simulator	
Connector Pin	Description
+EXC	Excitation +
+SIG	Signal +
-SIG	Signal -
-EXC	Excitation -

