



Concrete Compression Machine Calibration Kit



Standard Features

- Relatively light-weight and small load cells for easier transportation to the field
- Covering ASTM E74 Class A range of 400 to 600,000 lbf with only three load cells
- Includes compression blocks and load button for load line alignment and better calibration results
- The capability of tension force calibration up to 60,000 lbf
- Two indicator options: USB connected high accuracy, and close to direct read high stability
- 5 klbf and 60 klbf load cells calibrated to primary deadweights
- Available Pelican case with custom-cut high-density foam for traveling



Included in the kit

Part	Qty.	Concrete Compression Machine Calibration Kit
		Model: CCK-01
Load Cells		
Mini 600,000 lbf Load Cell	1	Weighs only 27 lbs for easier transportations
Mini 60,000 lbf Load Cell	1	Weighs only 6.4 lbs for easier transportation
5,000 lbf Shear Web Load Cell	1	Accurate load cell for lower range force measurement
Indicator		
Option 1: HADI	1	High accuracy with USB interface and display in computer
Option 2: Gauge Buster High Stability	1	Highly stable & close to direct reading display on the unit
Cables	2	1 cable for 5 klb load cell; 1 cable for both 60 & 600 klb load cells
Adapters		
Spherical Load Button	1	To be used with 60 klb load cell in compression
Compression Top Alignment Block	3	One for each load cell; helps with load alignment
Bottom bearing block	1	With alignment lines for each load cell
Carrying Case		
Pelican case with custom cut foam	1	For easier transportation, shipping, and traveling

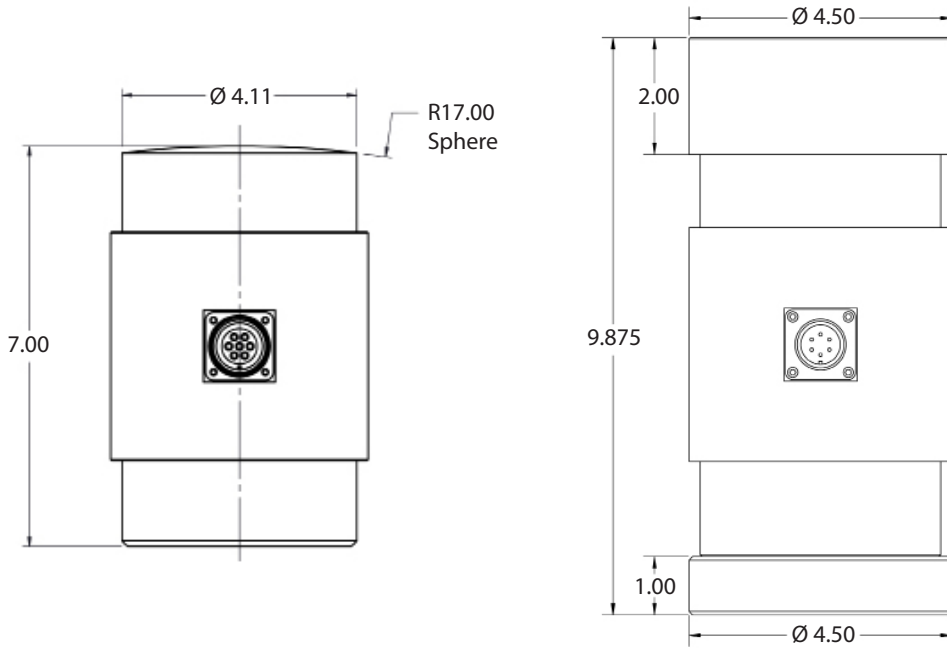


Load Cell Specifications

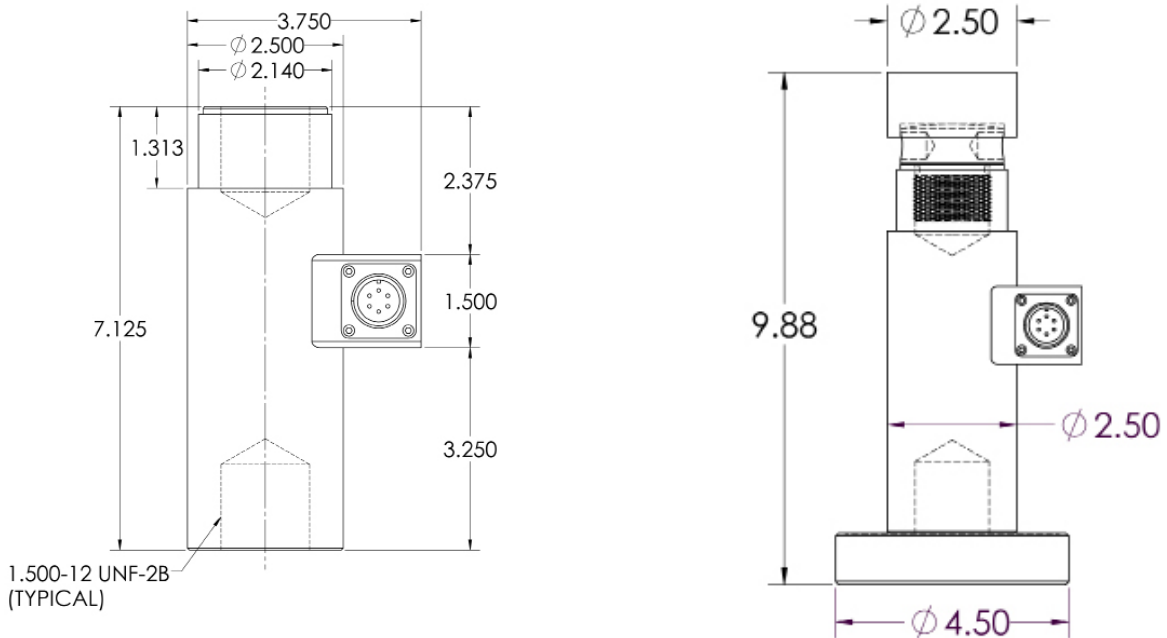
Specifications	Load Cells		
	600 klb Mini	60 klb Mini	5 klb
Accuracy			
Non-linearity, % R.O.	±0.15	±0.2	±0.05
Hysteresis, % R.O.	±0.10	±0.2	±0.05
Non-Repeatability, % R.O.	±0.03	±0.05	±0.01
Creep, % Rdg / 20 min.	±0.05	±0.05	±0.03
Zero Balance, % R.O.	±1.0	±1.0	±1.0
Temperature			
Range, Compensated, °F	+32 to +132	+60 to +160	+15 to +115
Range, Operating, °F	-30 to +176	-65 to +250	-65 to +200
Sensitivity Effect, & Rdg / 10°F	±0.028	±0.005	±0.08
Zero Effect, % R.O. / 10°F	±0.026	±0.005	±0.08
Electrical			
Recommended Excitation, VDC	5-10	10-15	10
Input Resistance, Ω	2800	450	350
Output Resistance, Ω	2800	350	350
Sensitivity (R.O.), mv/V, Nominal	2.5	2.0	4
Insulation Bridge/Case, MegΩ	>5000 at 50 VDC	>5000 at 50 VDC	>5000 at 50 VDC
Mechanical			
Capacity (lbf / kN)	600,000 / 3,000	60,000 / 300	5,000 / 20
Type	Multi-Column	Multi-Column	Shear-Web
Loading Mode	Compression only	Compression/Tension	Compression/Tension
Safe Overload, % R.O.	120	150	150
Weight, lbs	27.0	6.4	7.2
Connector	MS3102-14-6P	MS3102-14-6P	PT02A-10-6P
Flexure Material	Steel	Steel	Steel
Calibration			
Calibration References	Transfer cal by NIST	Primary Deadweight	Primary Deadweight
Min. ASTM E74 Class A Range, lbf	48,000-600,000	4,800-60,000	400-5,000



600k Ibf Load Cell Dimensions



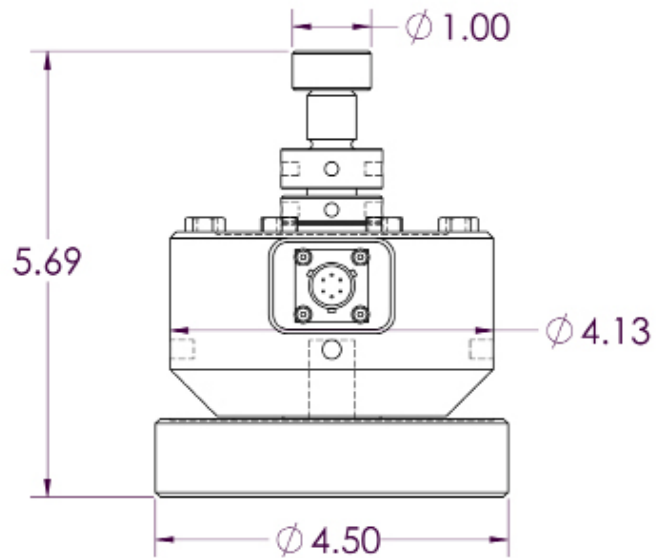
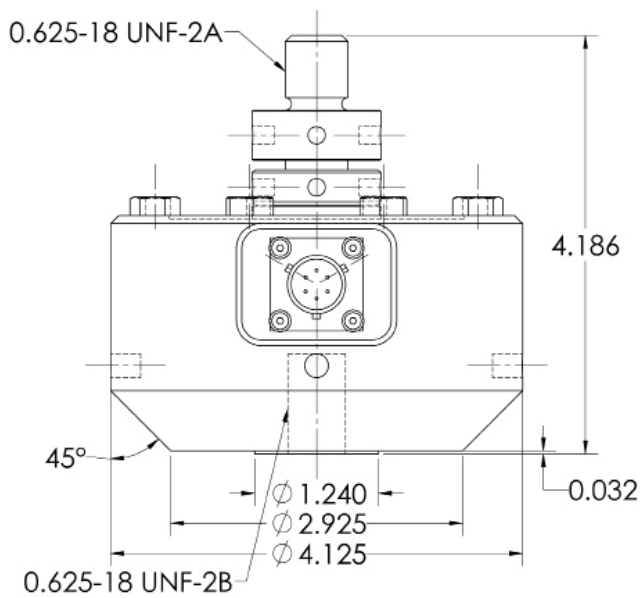
60k Ibf Load Cell Dimensions



All dimensions are shown in inches.



5k lbf Load Cell Dimensions



All dimensions are shown in inches.