

✓ Small compact design can fit in small areas that standard load cells cannot.

✓ Load ball or top adapter for different applications

✓ Corrosion resistant
✓ Environmental protection per IEC 529

✓ Lightweight, compression only



Standard Features

- » ASTM E74 performance: Lower Limit Factor (LLF) better than 0.01 %, Class A better than 4 %, and Class AA better than 20 % of capacity when used only in a single direction.¹
- » ISO 376 Class 0.5 from 5 % of capacity (Case C only, Case D varies by capacity)
- » Compression only
- » Capacities from 10,000–100,000 lbf, or equivalent kgf/Newton
- » Calibration to Primary deadweight standards available

1. When the directions are combined, there may be a reduction in the loading range. The reduction varies by capacity, and the Class A and AA verified range of forces could double.

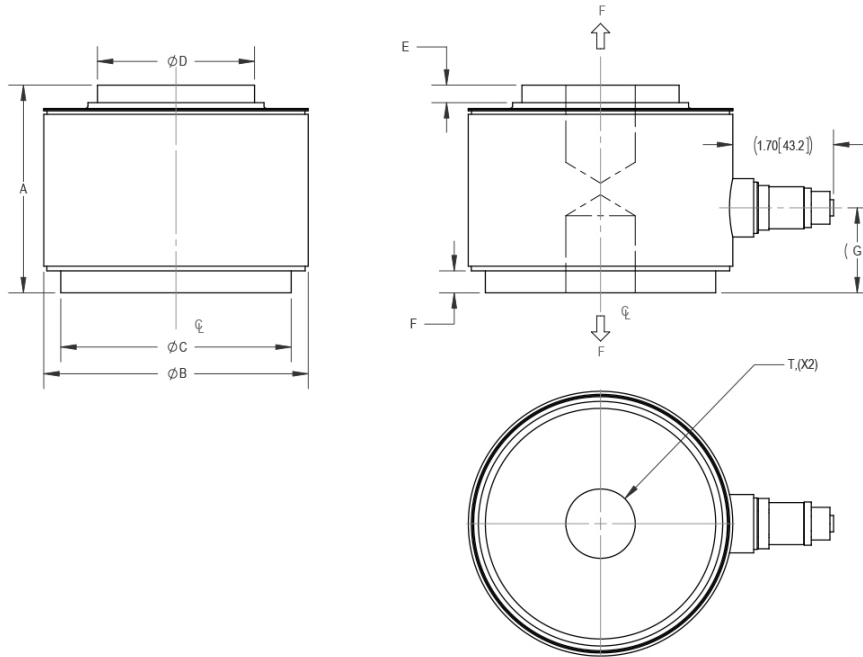


Technical Specifications

Specifications	Model - Capacity (lbf / N)		
	10,000 / 50	50,000 / 250	100,000 / 500
Accuracy			
Combined Error, % F.S.	± 0.017	± 0.017	± 0.017
Creep Error, % F.S. / 30 Min.	± 0.017	± 0.017	± 0.017
Output resolution at full load, raw counts	512000	512000	512000
Zero Balance, raw counts	± 2000	± 2000	± 2000
Temperature			
Temperature effect on zero	0.01	0.01	0.01
Temperature effect on span	0.01	0.01	0.01
Temperature range (operating) °C	-10 / +40	-10 / +40	-10 / +40
Electrical			
Power supply (VDC)	10-30 ≤ 0.4 Watt	10-30 ≤ 0.4 Watt	10-30 ≤ 0.4 Watt
Mechanical			
Safe Load Limit	140	140	150
Ultimate Load	150	150	160
Flexure Material	Stainless Steel	Stainless Steel	Stainless Steel

Dimensions

10,000 and 50,000 Capacity



Capacity (lbf)	A	B	C	D	E	F	G	T
10,000	2.51 [63.8]	3.48 [88.4]	2.53 [64.3]	1.25 [31.8]	0.12 [3.0]	0.12 [3.0]	1.00 [25.4]	5/8-18 UNF-3B ∇ 1.12 [28.4]
50,000	3.50 [88.9]	4.46 [113.3]	3.89 [98.8]	2.65 [67.3]	0.30 [7.5]	0.37 [9.4]	1.43 [36.4]	1-1/4-12 UNF-3B ∇ 1.40 [35.5]



100,000 Capacity

