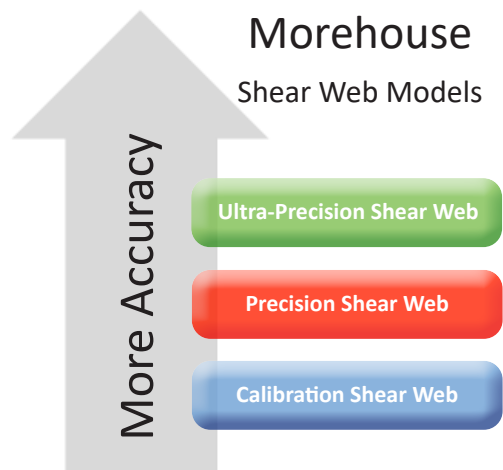




Standard Features

- » ASTM E74 performance: Lower Limit Factor (LLF) better than 0.02 %, Class A better than 8 % of capacity.
- » ISO 376 Class 1 or better
- » Compression and/or tension modes
- » Capacities from 100–200,000 lbf, or equivalent kgf/Newton
- » Direct reading calibration accuracy typically around 0.1 % of capacity
- » Available accessories such as: Quick-Change Tension Members, custom-cut protective cases, various indicators

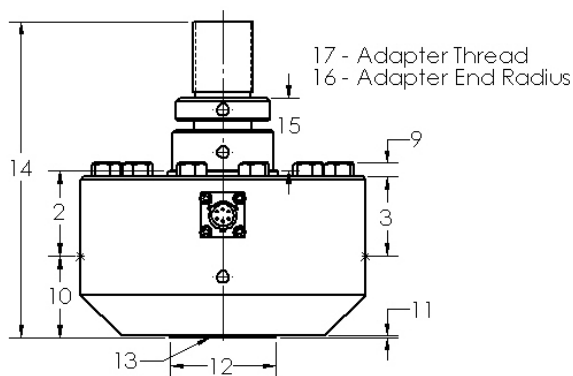
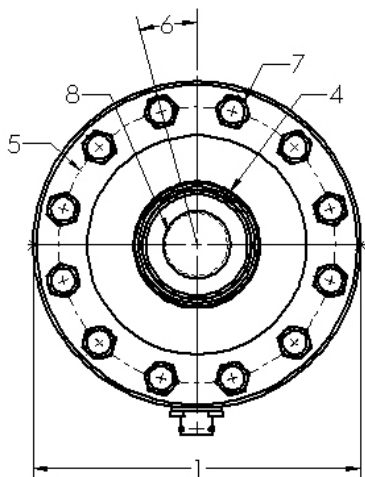


Technical Specifications

Specifications	Model - Capacity (lbf / kN)					
	300-2K / 1-10	5K-10K / 20-50	25K-50K / 100-250	60K / 300	100K / 500	200K / 900
Accuracy						
Static Error Band, % R.O.	± 0.04	± 0.05	± 0.05	± 0.05	± 0.05	± 0.07
Non-Linearity, % R.O.	± 0.04	± 0.05	± 0.05	± 0.05	± 0.05	± 0.07
Hysteresis, % R.O.	± 0.03	± 0.05	± 0.05	± 0.05	± 0.05	± 0.07
Non-Repeatability, % R.O.	± 0.01	± 0.01	± 0.01	± 0.01	± 0.01	± 0.01
Creep, % Rdg / 20 Min.	± 0.03	± 0.03	± 0.03	± 0.03	± 0.03	± 0.03
Off-Center Load Sensitivity, %/in	± 0.25	± 0.25	± 0.25	± 0.25	± 0.25	± 0.25
Side Load Sensitivity, %	± 0.25	± 0.25	± 0.25	± 0.25	± 0.25	± 0.25
Zero Balance, % R.O.	± 1.0	± 1.0	± 1.0	± 1.0	± 1.0	± 1.0
Temperature						
Range, Compensated, °F	+15 to +115	+15 to +115	+15 to +115	+15 to +115	+15 to +115	+15 to +115
Range, Operating, °F	-65 to +200	-65 to +200	-65 to +200	-65 to +200	-65 to +200	-65 to +200
Sensitivity Effect, % Rdg / 100°F	0.08	0.08	0.08	0.08	0.08	0.08
Zero Effect, % R.O. / 100°F	0.08	0.08	0.08	0.08	0.08	0.15
Electrical						
Recommended Excitation, VDC	10	10	10	10	10	10
Input Resistance, Ω	350 +40/-3.5	350 +40/-3.5	350 +40/-3.5	350 +40/-3.5	350 +40/-3.5	350 +40/-3.5
Output Resistance, Ω	350 ± 3.5	350 ± 3.5	350 ± 3.5	350 ± 3.5	350 ± 3.5	350 ± 3.5
Sensitivity (R.O.), mV/V, Nominal	2	4	4	4	4	4
Insulation Bridge/Case, MegΩ	5000 @ 50 VDC	5000 @ 50 VDC	5000 @ 50 VDC	5000 @ 50 VDC	5000 @ 50 VDC	5000 @ 50 VDC
Mechanical						
Safe Overload, % R.O.	150	150	150	150	150	150
Weight, lbs	1.0	2.9	9.1	11.2	23.5	59
Weight w/Base, lbs	2.5	6.5	21.5	26	52.5	139
Flexure Material	Aluminum	Steel	Steel	Steel	Steel	Steel



Dimensions



Dimensions	Model - Capacity (lbf / kN)					
	300-2K / 1-10	5K-10K / 20-50	25K-50K / 100-250	60K / 300	100K / 500	200K / 900
1 – Cell & Base Diameter (in/mm)	4.12 / 104.65	4.12 / 104.65	6.06 / 153.92	6.06 / 153.92	8.00 / 203.20	11.00 / 279.0
2 – Cell Height to Hub (in/mm)	1.38 / 35.05	1.38 / 35.05	1.75 / 44.45	2.28 / 57.91	2.50 / 63.50	3.50 / 88.90
3 – Cell Body Height (in/mm)	1.25 / 31.75	1.25 / 31.75	1.63 / 41.40	2.02 / 51.30	2.25 / 57.15	3.00 / 76.20
4 – Hub Diameter (in/mm)	1.29 / 32.77	1.29 / 32.77	2.34-2.58 / 59.44-65.53	2.65 / 67.31	3.76 / 95.50	4.81 / 122.17
5 – Mounting B.C. Diameter (in/mm)	3.50 / 88.90	3.50 / 88.90	5.13 / 130.30	5.13 / 130.30	6.50 / 165.10	9.00 / 228.60
6 – Symmetric B.C. Offset	22.5 Degrees	22.5 Degrees	15 Degrees	15 Degrees	11.25 Degrees	11.25 Degrees
7 – Mounting Hole Diameter (in/mm)	0.28 / 7.11	0.28 / 7.11	0.41 / 10.41	0.41 / 10.41	0.53 / 13.46	0.78 / 19.81
8 – Hub Thread Size, Depth (in-TPI)	0.625"-18, UNF-3B	0.625"-18, UNF-3B	1.25"-12, UNF-3B	1.50"-12, UNF-3B	1.75"-12, UNF-3B	2.75"-8, UNF-3B
9 – Bolt Head Protrusion (in/mm)	0.20 / 5.08	0.20 / 5.08	0.30 / 7.62	0.30 / 7.62	0.40 / 10.16	0.60 / 15.24
10 – Base Thickness, Total (in/mm)	1.13 / 28.70	1.13 / 28.70	1.75 / 44.45	2.00 / 50.80	2.00 / 50.80	3.00 / 76.20
11 – Base Step Height (in/mm)	0.03 / 0.76	0.03 / 0.76	0.03 / 0.76	0.03 / 0.76	0.03 / 0.76	0.03 / 0.76
12 – Base Step Diameter (in/mm)	1.25 / 31.75	1.25 / 31.75	2.25 / 57.15	2.75 / 69.85	3.00 / 76.20	4.50 / 114.3
13 – Base Thread Size, Depth (in-TPI)	0.625"-18, UNF-3B	0.625"-18, UNF-3B	1.25"-12, UNF-3B	1.50"-12, UNF-3B	1.75"-12, UNF-3B	2.75"-8, UNF-3B
14 – Total Height (in/mm)	4.38 / 111.3	4.38 / 111.3	6.50 / 162.1	7.38 / 187.45	8.75 / 218.9	10.50 / 266.7
15 – Adapter Thread Length (in/mm)	0.75 / 19.05	0.75 / 19.05	1.50 / 38.10	1.65 / 41.91	1.75 / 44.45	2.75 / 69.85
16 – Adapter End Radius (in/mm)	6.00 / 152.40	6.00 / 152.40	6.00 / 152.40	6.00 / 152.40	12.00 / 304.80	18.00 / 457.0
17 – Adapter Thread Size (in-TPI)	0.625"-18	0.625"-18	1.25"-12	1.50"-12	1.75"-12	2.75"-8



Wiring

Calibration Shear Web	
Connector Pin	Description
Pin A	Excitation +
Pin B	Signal +
Pin C	Signal -
Pin D	Excitation -

