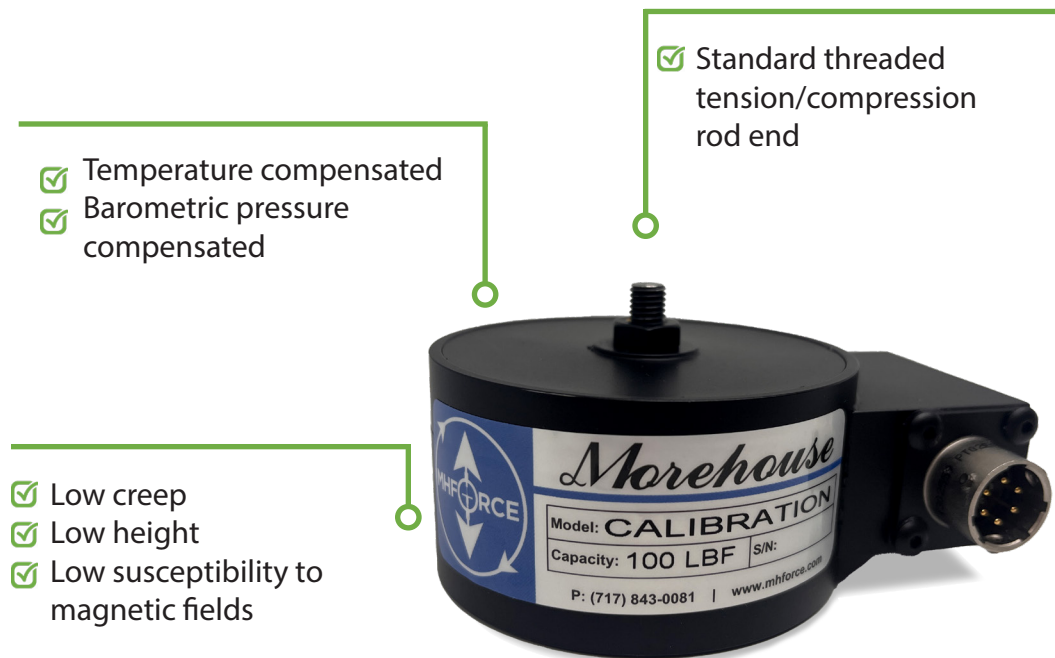


Best Value Low Capacity Load Cell (From 25-300 lbf)



Standard Features

- » ASTM E74 performance: Lower Limit Factor (LLF) better than 0.02 %, Class A better than 8 % of capacity
- » ISO 376 Class 1 or better performance range
- » Compression and/or tension modes
- » Capacities from 25–300 lbf, or equivalent kgf/Newton
- » Direct reading calibration accuracy typically around 0.1 % of capacity
- » Low profile and compact, suitable for a wide range of applications
- » Available accessories such as Quick-Change Tension Members, custom-cut protective cases, and various indicators

Morehouse Low Capacity Cells are often the choice for companies that make field measurements in accordance with ASTM E74, & ASTM E4, ISO 376, and ISO 7500, and general field measurements.

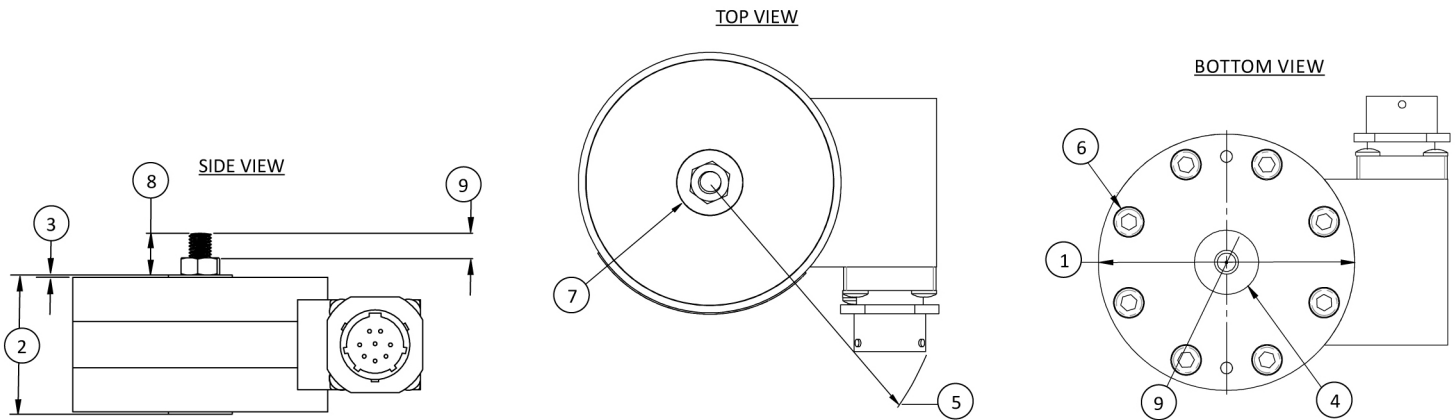


Technical Specifications

Specifications	Model - Capacity (lbf / N)	
	25, 50 / 125, 250	100, 200, 300 / 500, 1000 ,1500
Accuracy		
Static Error Band, % R.O.	± 0.03	± 0.02
Non-Linearity, % R.O.	± 0.04	± 0.03
Hysteresis, % R.O.	± 0.03	± 0.02
Non-Repeatability, % R.O.	± 0.005	± 0.005
Creep, % Rdg / 20 Min.	± 0.02	± 0.02
Off-Center Load Sensitivity, %/in	± 0.25	± 0.25
Side Load Sensitivity, %	± 0.25	± 0.25
Zero Balance, % R.O.	± 1.0	± 1.0
Temperature		
Range, Compensated, °F	+15 to +115	+15 to +115
Range, Operating, °F	-65 to +200	-65 to +200
Sensitivity Effect, % Rdg / 100°F	±0.0008	±0.0008
Zero Effect, % R.O. / °F MAX	±0.0008	±0.0008
Electrical		
Recommended Excitation, VDC	10-20	10-20
Input Resistance, Ω	350 +40/-3.5	350 +40/-3.5
Output Resistance, Ω	350 ± 3.5	350 ± 3.5
Sensitivity (R.O.), mV/V, Nominal	2	2
Insulation Bridge/Case, MegΩ	5000 @ 50 VDC	5000 @ 50 VDC
Mechanical		
Safe Overload, % R.O.	150	150
Weight, lbs	1.0	1.0
Deflection at RO	0.003	0.003
Flexure Material	Tool Steel	Tool Steel

Capacity (lbf)	25	50	100	200	300
Capacity (N)	125	250	500	1000	1500
Part No.	C-25-LP	C-50-LP	C-100-LP	C-200-LP	C-300-LP

Dimensions



Dimensions	Low Capacity Load Cell	
	Capacities: 25, 50, 100, 200, 300 lbf	
	inch (mm)	
(1)	2.75 (69.8)	
(2)	1.50 (38.1)	
(3)	0.03 2x (0.6) 2x	
(4)	0.69 (17.5)	
(5)	2.85 (72.3)	
(6)	8 Places	
(7)	0.69 (17.5)	
(8)	0.45 (11.4)	
(9)	0.25"-28 UNF	