

Standard Features

- » ASTM E74 performance: Lower Limit Factor (LLF) better than 0.02 %, Class A better than 8 % of capacity
- » ISO 376 Class 1 or better performance range
- » Compression and/or tension modes
- » Capacities from 25–300 lbf, or equivalent kgf/Newton
- » Direct reading calibration accuracy typically around 0.1 % of capacity
- » Low profile and compact, suitable for a wide range of applications
- » Available accessories such as Quick-Change Tension Members, custom-cut protective cases, various indicators

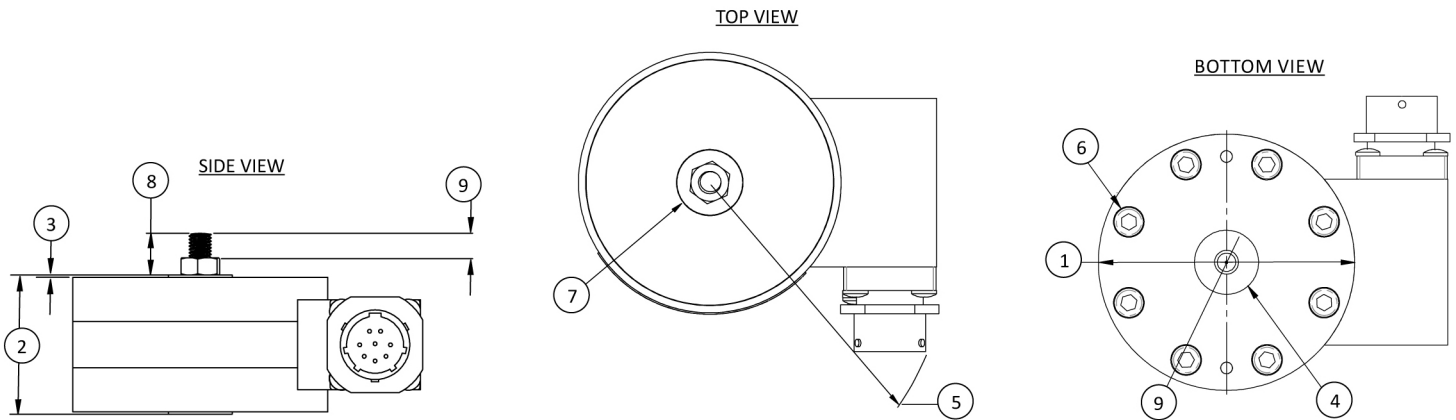


Technical Specifications

Specifications	Model - Capacity (lbf / N)	
	25, 50 / 125, 250	100, 200, 300 / 500, 1000 ,1500
Accuracy		
Static Error Band, % R.O.	± 0.03	± 0.02
Non-Linearity, % R.O.	± 0.04	± 0.03
Hysteresis, % R.O.	± 0.03	± 0.02
Non-Repeatability, % R.O.	± 0.005	± 0.005
Creep, % Rdg / 20 Min.	± 0.02	± 0.02
Off-Center Load Sensitivity, %/in	± 0.25	± 0.25
Side Load Sensitivity, %	± 0.25	± 0.25
Zero Balance, % R.O.	± 1.0	± 1.0
Temperature		
Range, Compensated, °F	+15 to +115	+15 to +115
Range, Operating, °F	-65 to +200	-65 to +200
Sensitivity Effect, % Rdg / 100°F	±0.0008	±0.0008
Zero Effect, % R.O. / °F MAX	±0.0008	±0.0008
Electrical		
Recommended Excitation, VDC	10-20	10-20
Input Resistance, Ω	350 +40/-3.5	350 +40/-3.5
Output Resistance, Ω	350 ± 3.5	350 ± 3.5
Sensitivity (R.O.), mV/V, Nominal	2	2
Insulation Bridge/Case, MegΩ	5000 @ 50 VDC	5000 @ 50 VDC
Mechanical		
Safe Overload, % R.O.	150	150
Weight, lbs	1.0	1.0
Deflection at RO	0.003	0.003
Flexure Material	Tool Steel	Tool Steel

Capacity (lbf)	25	50	100	200	300
Capacity (N)	125	250	500	1 000	1 500
Part No.	PC-25	PC-50	PC-100	PC-200	PC-300

Dimensions



Dimensions	Low Capacity Load Cell	
	Capacities: 25, 50, 100, 200, 300 lbf	
	inch (mm)	
(1)	2.75 (69.8)	
(2)	1.50 (38.1)	
(3)	0.03 2x (0.6) 2x	
(4)	0.69 (17.5)	
(5)	2.85 (72.3)	
(6)	8 Places	
(7)	0.69 (17.5)	
(8)	0.45 (11.4)	
(9)	0.25"-28 UNF	