



Standard Features

- ASTM E74 performance: Lower Limit Factor (LLF) better than 0.02 %, Class A loading range better than 8 % of capacity when used only in a single direction in compression.¹
- ISO 376 Class 0.5 performance range
- Suitable to be used as secondary calibration standards, as well as field force measurement
- Reliable multi-column design provides repeatable force measurement in rotation
- Compression-only load cells. Compression/tension models available per request
- Capacities from 200K–2,000K lbf, or equivalent kgf/Newton
- Available accessories such as: compression blocks, load pads, custom-cut protective cases, various indicators

1. When the directions are combined, there may be a reduction in the loading range. The reduction varies by capacity, and the verified range of forces could increase to 20 % of capacity.

Technical Specifications

Specifications	Capacity (lbf)					
	200K	300K	500K	600K	750K	1M
Accuracy						
Non-Linearity, % FS	± 0.01	± 0.01	± 0.017	± 0.03	± 0.03	± 0.03
Hysteresis, % FS	± 0.02	± 0.02	± 0.02	± 0.03	± 0.03	± 0.03
Non-Repeatability, % FS	± 0.01	± 0.01	± 0.01	± 0.01	± 0.01	± 0.01
Zero Balance, % FS	± 1.0	± 1.0	± 1.0	± 1.0	± 1.0	± 1.0
Temperature						
Compensated Range, °F	14 to 104	14 to 104	14 to 104	60 to 160	60 to 160	60 to 160
Operating Range, °F	-31 to 149	-31 to 149	-31 to 149	-30 to 185	-30 to 185	-30 to 185
Sensitivity Effect, % FS / °F	± 0.014 (/10°C)	± 0.014 (/10°C)	± 0.014 (/10°C)	± 0.0008	± 0.0008	± 0.0008
Zero Effect, % FS / °F	± 0.015 (/10°C)	± 0.015 (/10°C)	± 0.017 (/10°C)	± 0.0015	± 0.0015	± 0.0015
Electrical						
Recommended Excitation, VDC	5-12	5-12	5-12	10	10	10
Input Resistance, Ω	450 ± 5	450 ± 5	450 ± 5	350	350	350
Output Resistance, Ω	480 ± 5	480 ± 5	480 ± 5	350	350	350
Sensitivity (R.O.), mV/V, Nominal	2	3	2	2	2	2
Insulation Bridge/Case, MegΩ	>5000 at 50 VDC	>5000 at 50 VDC	>5000 at 50 VDC	>5000 at 50 VDC	>5000 at 50 VDC	>5000 at 50 VDC
Mechanical						
Safe Overload, % R.O.	150	150	150	150	150	150
Material	Stainless Steel	Stainless Steel	Stainless Steel	Stainless Steel	Stainless Steel	Stainless Steel

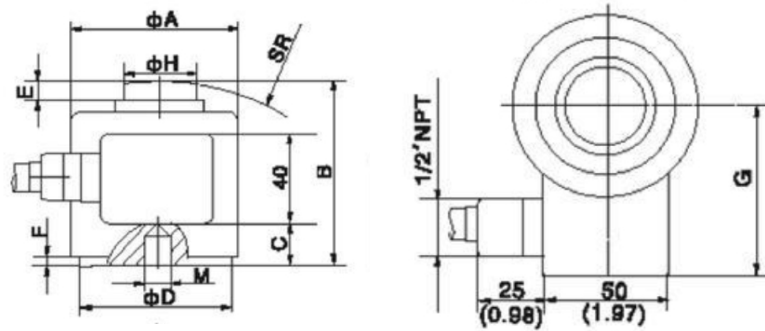
Capacity (lbf)	200,000	300,000	500,000	600,000	750,000	1,000,000
Capacity (kN)	900	1 000	2 500	3 000	3 500	5 000
Part No.	PC-200K-MC	PC-300K-MC	PC-500K-MC	PC-600K-MC	PC-750K-MC	PC-1000K-MC

Load cells for other capacities are available. Contact Morehouse for more information.



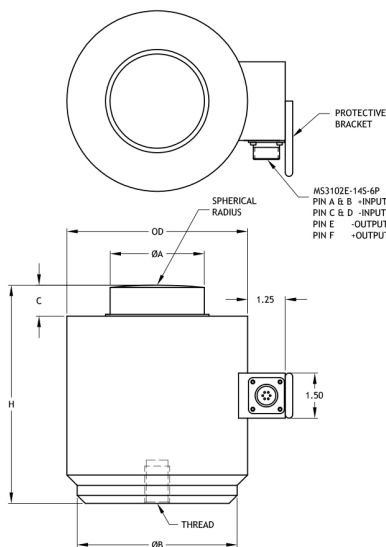
Dimensions

200K, 300K, 500K Load Cells



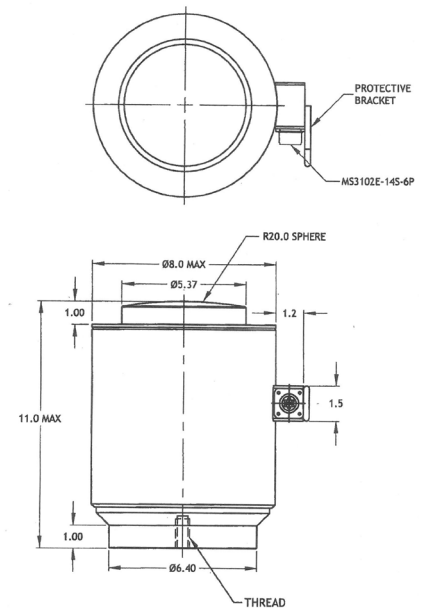
Capacity	A	B	C	D	E	F	G	H	M
200K	151.4 (5.96)	184.2 (7.25)	87.35 (3.44)	123.8 (4.87)	23.15 (0.91)	3.7 (0.15)	108 (4.26)	79.4 (3.13)	3/4-16UNF-2B
300K	151.4 (5.96)	184.2 (7.25)	87.35 (3.44)	123.8 (4.87)	23.15 (0.91)	3.7 (0.15)	108 (4.26)	79.4 (3.13)	3/4-16UNF-2B
500K	162.6 (6.40)	228.6 (9.0)	101.5 (4.0)	136.3 (5.37)	10.85 (0.43)	3.7 (0.15)	123 (4.84)	93.7 (3.69)	3/4-16UNF-2B

600K Load Cell



Capacity	OD	ØA	ØB	H	Thread	C
600K	6.50	3.69	5.81	9.00	3/4-16 UNF-3B	1.04

750K, 1M Load Cells





Wiring

200K, 300K, 500K Load Cells

Wire Color	Description
Green	Excitation +
Black	Excitation -
White	Output +
Red	Output -
Bare	Shield

600K, 750K, 1M Load Cells

Pin	Description
A & B	+ Input
C & D	- Input
E	- Output
F	+ Output