

Standard Features

- » ASTM E74 performance: Lower Limit Factor (LLF) better than 0.02 %, Class A better than 8 % of capacity
- » ISO 376 Class 1 performance range
- » Compression only mode
- » Capacity: 600,000 lbf
- » Available accessories such as: load pads, and bearing blocks
- » Available custom-cut protective cases for travel and field work



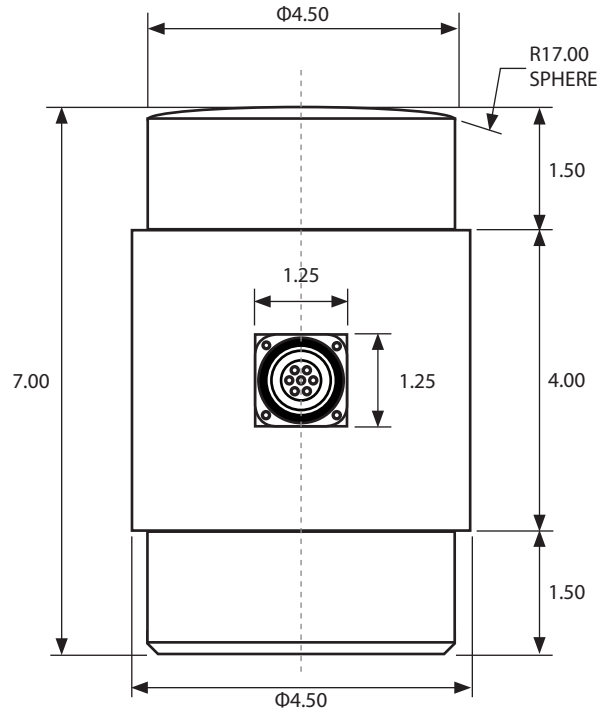
Technical Specifications

Specifications	Capacity
	600K
Accuracy	
Non-Linearity, % R.O.	± 0.15
Hysteresis, % R.O.	± 0.10
Non-Repeatability, % R.O.	± 0.03
Creep, % Rdg / 20 Min.	± 0.05
Zero Balance, % R.O.	± 1.0
Temperature	
Range, Compensated, °F	+32 to +132
Range, Operating, °F	-30 to +200
Sensitivity Effect, % Rdg / 100°F	0.003
Zero Effect, % R.O. / 100°F	0.003
Electrical	
Recommended Excitation, VDC	5-10
Input Resistance, Ω	350
Output Resistance, Ω	350
Sensitivity (R.O.), mV/V, Nominal	2.5
Insulation Bridge/Case, MegΩ	> 5000 at 50 VDC
Mechanical	
Capacity	600,000 lbf / 2700 kN
Safe Overload, % R.O.	150
Weight, lbs	27.0
Connector	MS3102E-14S-6P
Flexure Material	Steel



Dimensions

* All dimensions are shown in inches.



Wiring

600K Mini Multi-Column	
Connector Pin	Description
Pin A	Excitation +
Pin B	Sense +
Pin C	Excitation -
Pin D	Sense -
Pin E	Output -
Pin F	Output +